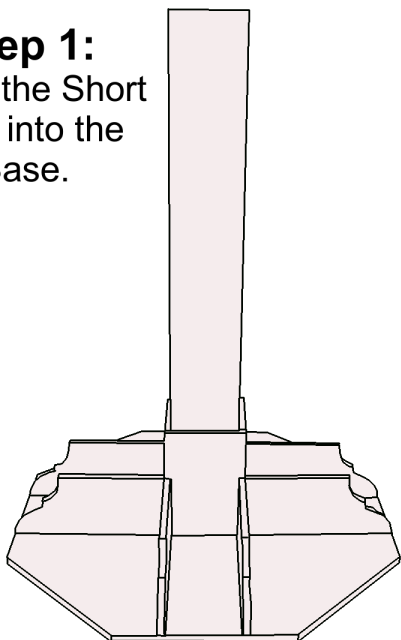


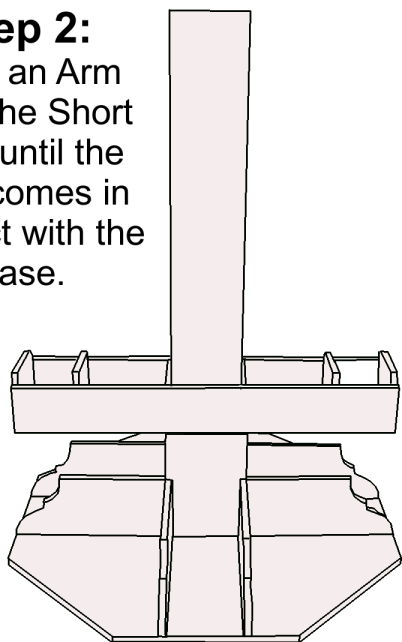
Step 1:

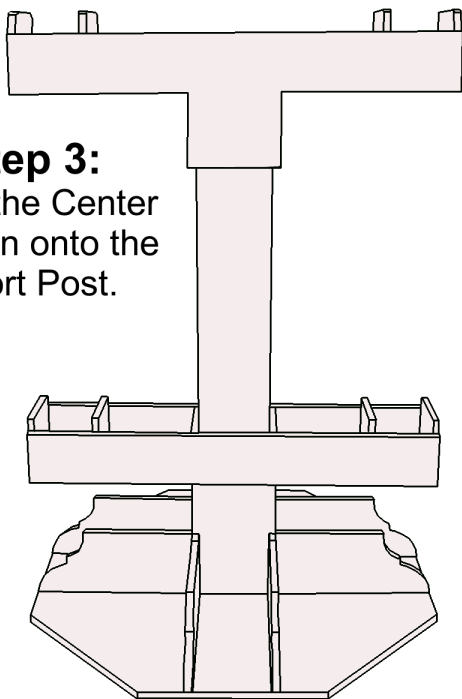
Insert the Short Post into the Base.



Step 2:

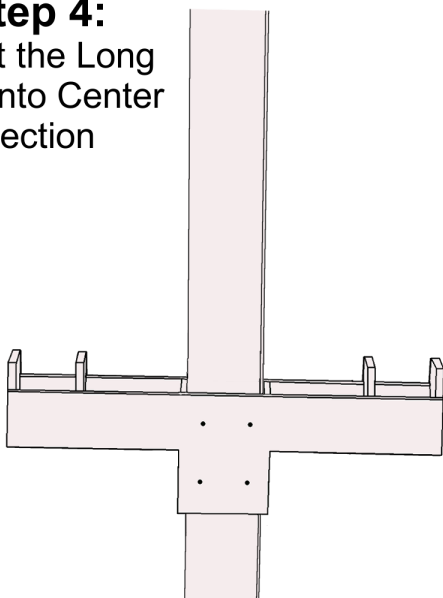
Slide an Arm onto the Short Post until the Arm comes in contact with the Base.





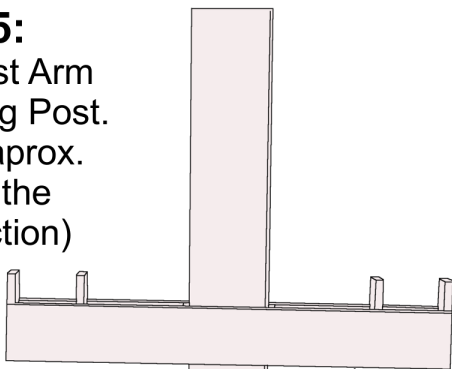
Step 3:
Slide the Center
Section onto the
Short Post.

Step 4:
Insert the Long
Post into Center
Section



Step 5:

Slide the last Arm
onto the Long Post.
(measure approx.
21" from the
center section)



Step 6:

Tighten and
Secure the Arms,
the Center Section,
and the Base with
the screws provided

